

# Subsea Bullseye

We solve deepwater problems



## We Solve Deepwater Problems

Subsea Bullseyes are large visible manual slope indicators. They are used to properly position subsea equipment and/or components on the sea floor. All units provide a clock orientation face and are easily readable by ROV's or TV cameras. Our bullseyes are depth rated to more than -12,000 ft. and are available in variety of sizes, materials, and degree of inclinations. Whether your project requires a fixed mounting plate, leveling base, or is ROV retrievable, Reel Power has the solution.

Our products are based upon technology aimed at providing you with enhanced quality and reliability. When service is needed, our customer support engineers will provide efficient and responsive support.

Depth Rated **12,000<sup>ft</sup>**  
to more than

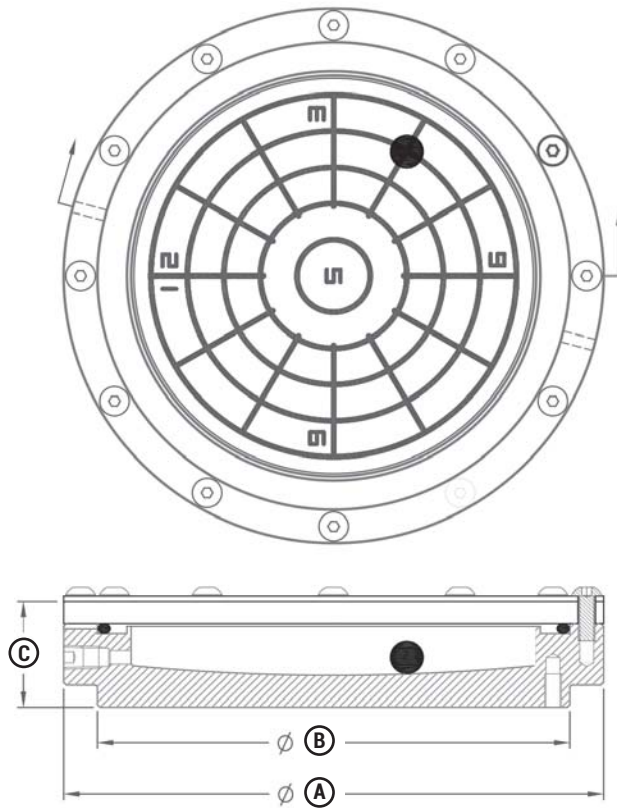
## TECHNICAL SPECIFICATIONS

- » 6", 12" and 16" diameters
- » 2°, 5°, 7°, 10° and 20° inclinations
- » Depth rated to > -12,000 feet
- » Glycerin filled
- » Oil field rugged

## COMMON USES

- » BOP Stacks
- » LMRP's Manifolds
- » Subsea Christmas Tree
- » Suction Piles
- » PLEMS/PLETS

**REELPOWER**  
MARINE & ENERGY



Size	A	B	C	Wt
6	5.94	N/A	1.25	3 lbs
12	12.00	10.50	2.38	45 lbs
16	16.00	14.00	3.13	110 lbs

Dimensions are in inches unless otherwise noted

## Available Combinations Diameter - Inclination

Diameter	Inclination				
	2°	5°	7°	10°	20°
6		☒			
12		☒	☒		
16	☒	☒	☒	☒	☒

RPME PN	Description
190, 107-16-01	Bullseyes 6" Diameter 5° Inclination
190, 107-16-01	Bullseyes 12" Diameter 5° Inclination
190, 107-06-01	Bullseyes 12" Diameter 7° Inclination
190, 107-02-01	Bullseyes 16" Diameter 2° Inclination
190, 107-01-01	Bullseyes 16" Diameter 5° Inclination
190, 107-07-01	Bullseyes 16" Diameter 7° Inclination
190, 107-03-01	Bullseyes 16" Diameter 10° Inclination
190, 107-19-01	Bullseyes 16" Diameter 20° Inclination

ReelPowerME.com



## CHOOSE THE MOST EXPERIENCED MANUFACTURER

Reel Power offers a combination of full manufacturing and project engineering. Our blend of experience and capability prove "fast-track performance" and "quality results" are not mutually exclusive.

**REELPOWER**  
MARINE & ENERGY